

Round pump



This round pump is available with the energy efficient COAX® cartridges. It is designed for high vacuum flow with 6x COAX® Si MIDI cartridges. Still it is small, compact and lightweight (1.6 kg). Easy to mount and install with integrated hose connectors.

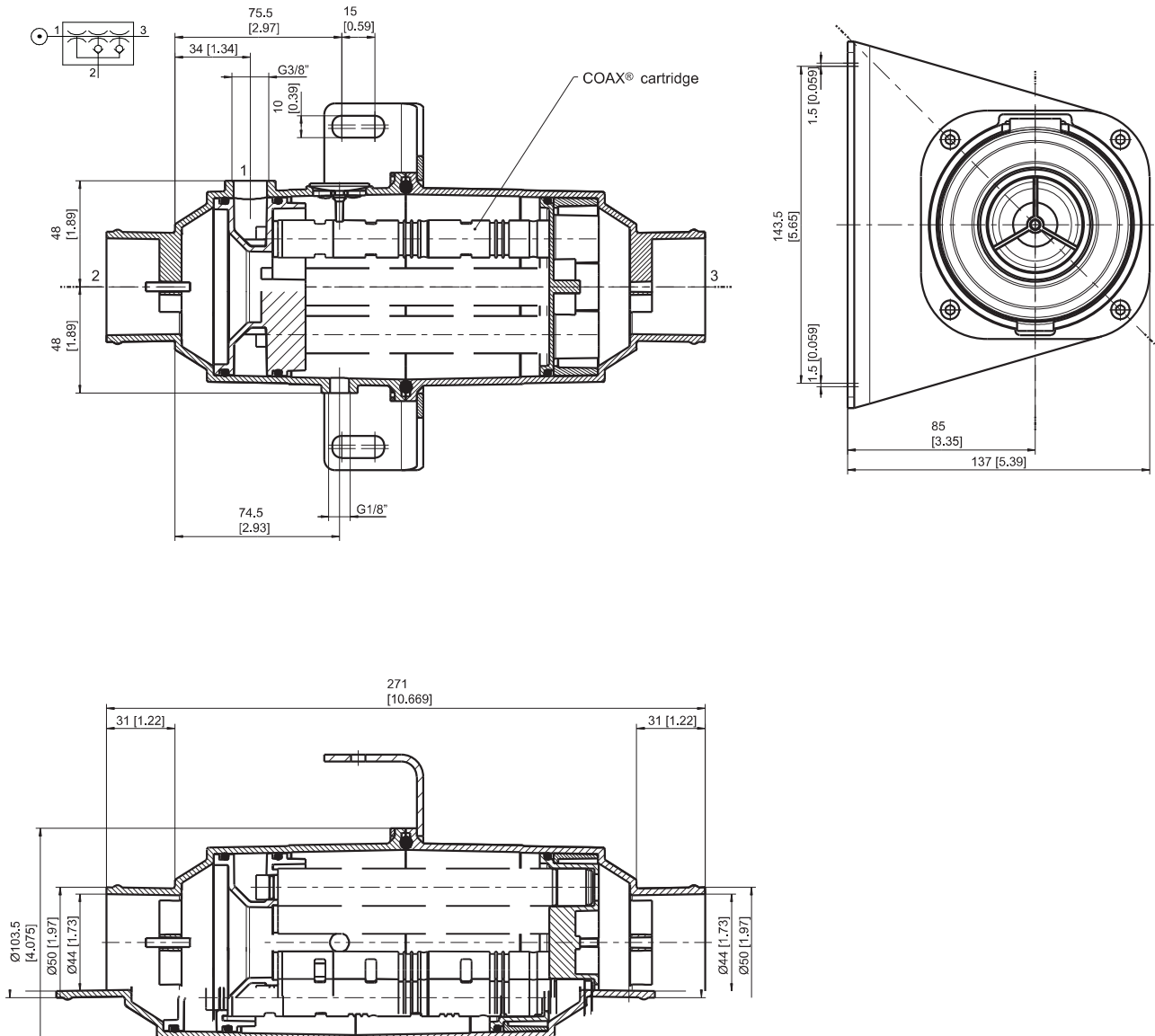
VACUUM FLOW

COAX® Cartridge	Feed pressure MPa	Air consumption NI/s	Vacuum flow (NI/s) at different vacuum levels (-kPa)								Max vacuum -kPa
			0	10	20	30	40	50	60	70	
MIDI Si32-3 ×6	0.4	7.5	30	17.4	11.4	7.2	4.8	2.4	0.6	—	60
MIDI Si32-3 ×6	0.5	9	34.2	19.8	13.2	8.4	5.1	3.72	2.1	1.08	70
MIDI Si32-3 ×6	0.6	10.5	36	21	15.6	10.2	5.4	3.6	3	2.1	75

EVACUATION TIMES

COAX® Cartridge	Feed pressure MPa	Air consumption NI/s	Evacuation time (s/l) to reach different vacuum levels (-kPa)							Max vacuum -kPa
			10	20	30	40	50	60	70	
MIDI Si32-3 ×6	0.4	7.5	0.005	0.012	0.023	0.04	0.07	0.167	—	60
MIDI Si32-3 ×6	0.5	9	0.003	0.01	0.018	0.035	0.058	0.1	0.167	70
MIDI Si32-3 ×6	0.6	10.5	0.003	0.008	0.017	0.03	0.055	0.088	0.133	75

DIMENSIONAL DRAWING



ORDERING INFORMATION

Description	Item No.
Round pump COAX® 6xSi32-3	0121632