

MAXI MLL pumps family



MLL 200/400



MLL800



MLL1200

This is probably the largest compressed-air driven pump in the market. Some of the models have an optional energy saving feature.

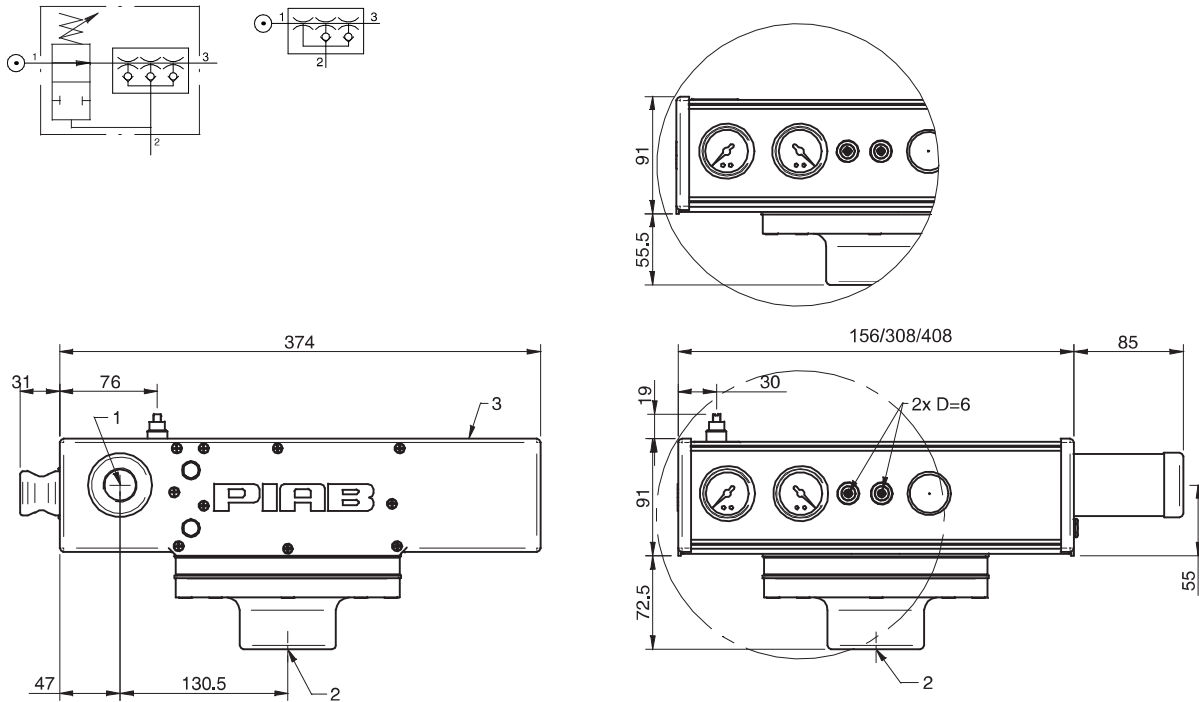
VACUUM FLOW

Pump name	Feed pressure MPa	Air consumption NI/s	Vacuum flow (NI/s) at different vacuum levels (-kPa)										Max vacuum -kPa
			0	10	20	30	40	50	60	70	80	90	
MLL200	0.6	14	48	27	18.1	9.5	4.8	3.3	2.4	1.1	0.48	0.01	91
MLL400	0.6	28	92	52	35	18.4	9.2	6.4	4.6	2.2	0.92	0.02	91
MLL800	0.6	56	176	99	67	35	17.6	12.3	8.8	4.2	1.8	0.04	91
MLL1200	0.6	84	255	143	97	51	26	17.9	12.8	6.1	2.6	0.05	91

EVACUATION TIMES

Pump name	Feed pressure MPa	Air consumption NI/s	Evacuation time (s/l) to reach different vacuum levels (-kPa)									Max vacuum -kPa
			10	20	30	40	50	60	70	80	90	
MLL200	0.6	14	0.003	0.008	0.014	0.03	0.06	0.1	0.16	0.29	0.82	91
MLL400	0.6	28	0.0015	0.004	0.007	0.015	0.03	0.05	0.08	0.15	0.41	91
MLL800	0.6	56	0.0008	0.0018	0.0035	0.008	0.014	0.024	0.04	0.072	0.2	91
MLL1200	0.6	84	0.0005	0.0012	0.0023	0.0052	0.009	0.016	0.027	0.048	0.14	91

DIMENSIONAL DRAWING



ORDERING INFORMATION

Description	Item No.
Vacuum pump MAXI MLL200, NBR sealings, G 1 1/2"	3101056
Vacuum pump MAXI MLL400, NBR sealings	3101057
Vacuum pump MAXI MLL400, NBR sealings, ES	0100742
Vacuum pump MAXI MLL800, NBR sealings, ES	0100743
Vacuum pump MAXI MLL800, NBR sealings	3101058
Vacuum pump MAXI MLL1200, NBR sealings	3101059
Vacuum pump MAXI MLL1200, NBR sealings, ES	0100744