



“Y” Filters

SERIE FIL100

PRESENTATION:

- Compact design.
- Easily maintainable filter element.

USE: Fluids, gases, vapours (neutral, aggressive)

NOMINAL SIZE: DN8-DN80

FILTERS FEATURES:

Fluid Temperature	- 10°C + 220°C
Ambient temperature	- 10°C + 80°C
Nominal pressure	PN 55
Body	AISI 316
Filter element	AISI 304
Perforated mesh	Standard
Mesh size	20 (on request other dimensions)
Gasket	PTFE



CE Approval

(Pressure Equipment Directive 2014/68/EU)

for Valve FIL100F.. ÷ FIL100G..

for Valve FIL100H.. ÷ FIL100I..

Use only with gaseous fluids of Group 2 (i.c. air) or for liquids or fluids Group 1 and 2 (i.c. water).

for Valve FIL100L..

Use only for non-hazardous liquids (i.c. water)

Nota

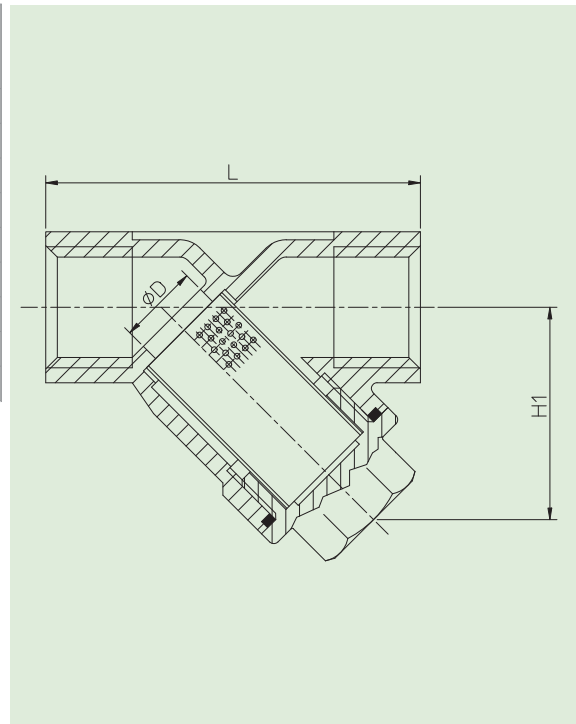
Chemical compatibility fluids/materials, has to be verified at RFQ stage with ODE sales dept.

The “ODE ” reserves the right to carry out technical and aesthetic modifications without prior notice.

Code	Pipe	D	H1	L	Weight Kg
FIL100BBPABA	G 1/4	14	37	65	0,27
FIL100CBPABA	G 3/8	14	37	65	0,25
FIL100DBPABA	G 1/2	14	37	65	0,23
FIL100EBPABA	G 3/4	20	45	80	0,36
FIL100FBPABA	G 1	25	54	90	0,62
FIL100GBPABA	G 1 1/4	32	59	105	0,91
FIL100HBPABA	G 1 1/2	40	66	120	1,22
FIL100IBPABA	G 2	50	77	138	1,93
FIL100LBPABA	G 3	80	118	210	6,8

Code	Pipe	D	H1	L	Weight Kg
FIL100BBTABA	G 1/4	14	37	65	0,27
FIL100CBTABA	G 3/8	14	37	65	0,25
FIL100DBTABA	G 1/2	14	37	65	0,23
FIL100EBTABA	G 3/4	20	45	80	0,36
FIL100FBTABA	G 1	25	54	90	0,62
FIL100GBTABA	G 1 1/4	32	59	105	0,91
FIL100HBTABA	G 1 1/2	40	66	120	1,22
FIL100IBTABA	G 2	50	77	138	1,93
FIL100LBTABA	G 3	80	118	210	6,8

Code	Pipe	D	H1	L	Weight Kg
FIL100BNTABA	1/4 NPT	14	37	65	0,27
FIL100CNTABA	3/8 NPT	14	37	65	0,25
FIL100DNTABA	1/2 NPT	14	37	65	0,23
FIL100ENTABA	3/4 NPT	20	45	80	0,36
FIL100FNTABA	1 NPT	25	54	90	0,62
FIL100GNTABA	1 1/4 NPT	32	59	105	0,91
FIL100HNTABA	1 1/2 NPT	40	66	120	1,22
FIL100INTABA	2 NPT	50	77	138	1,93
FIL100LNTABA	3 NPT	80	118	210	6,8



ORDERING CODE

FIL100 B BP A B A

SERIE

PIPE:

- B** 1/4"
- C** 3/8"
- D** 1/2"
- E** 3/4"
- F** 1"
- G** 1 1/4"
- H** 1 1/2"
- I** 2"
- L** 3"

MESH SIZE:

- A** Size 20 Perforated
- B** Size 20 Wired
- C** Size 30 Wired
- D** Size 80 Wired
- E** Size 100 Wired

FILTER ELEMENT MATERIAL

B AISI 304

BODY MATERIAL

A AISI 316

PROCESS CONNECTION:

- BP** BSP
- BT** BSPT
- NT** NPT