

COAX[®] MICRO family



MICRO Bi03-2



MICRO Si02-2



MICRO Ti05-2



MICRO Xi2.5-2

The two-stage COAX[®] cartridge MICRO is probably the world's smallest multistage vacuum ejector. Its low weight makes it suitable to integrate close to the suction point in high speed pick-and-place applications of small objects.

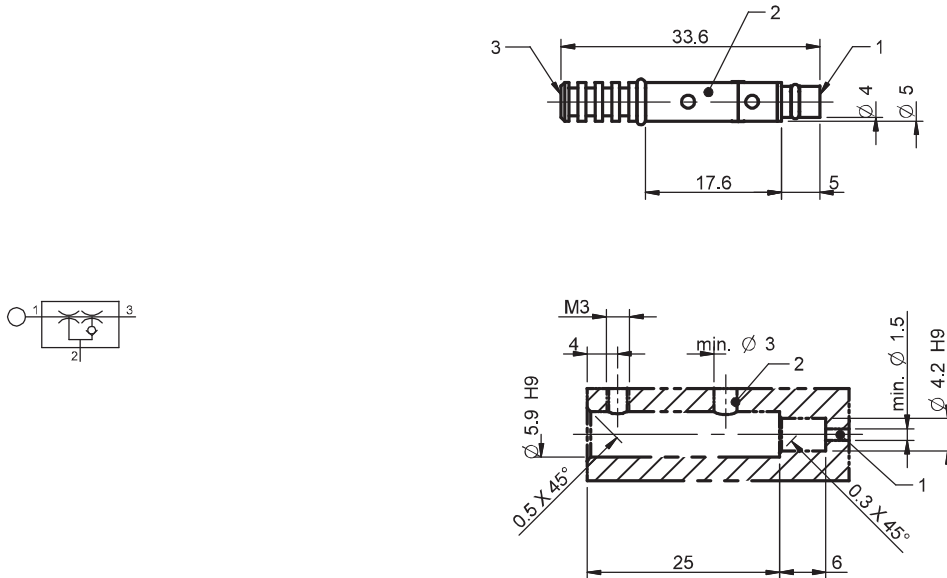
VACUUM FLOW

COAX [®] Cartridge	Feed pressure MPa	Air consumption NI/s	Vacuum flow (NI/s) at different vacuum levels (-kPa)										Max vacuum -kPa
			0	10	20	30	40	50	60	70	80		
MICRO Bi03-2	0.18	0.14	0.23	0.15	0.06	0.04	0.035	0.023	0.013	0.006	—	83	
MICRO Si02-2	0.6	0.12	0.28	0.21	0.12	0.08	0.07	0.06	0.04	0.02	—	75	
MICRO Ti05-2	0.4	0.27	0.32	0.28	0.23	0.17	0.1	0.07	0.04	0.02	0.004	84	
MICRO Xi2.5-2	0.5	0.13	0.24	0.17	0.1	0.06	0.04	0.03	0.02	0.01	0.01	92	

EVACUATION TIMES

COAX [®] Cartridge	Feed pressure MPa	Air consumption NI/s	Evacuation time (s/l) to reach different vacuum levels (-kPa)										Max vacuum -kPa
			10	20	30	40	50	60	70	80			
MICRO Bi03-2	0.18	0.14	0.5	1.4	3.9	6.4	10	16	28	51	83		
MICRO Si02-2	0.6	0.12	0.41	1.01	2.01	3.3	4.9	6.9	10.2	—	75		
MICRO Ti05-2	0.4	0.27	0.33	0.73	1.2	2	3.1	5	8.3	16.6	84		
MICRO Xi2.5-2	0.5	0.13	0.49	1.23	2.48	4.5	7.3	11.3	18	28	92		

DIMENSIONAL DRAWING



ORDERING INFORMATION

Description	Item No.
COAX® cartridge MICRO Bi03-2	0106966
COAX® cartridge MICRO Bi03-2, holding cap	0106968
COAX® cartridge MICRO Si02-2	0113591
COAX® cartridge MICRO Si02-2, holding cap	0113593
COAX® cartridge MICRO Ti05-2	0123098
COAX® cartridge MICRO Ti05-2, holding cap	0125794
COAX® cartridge MICRO Xi2.5-2	0120297
COAX® cartridge MICRO Xi2.5-2, holding cap	0120283