



Solenoid valve 2/2 way N.C. Direct acting + Timer + Connector + Tap

5254K0V45-W

PRESENTATION:

Direct acting S.V. for interception of fluids compatible with the construction materials.

Minimum operational pressure is not required.

The materials used and the tests carried out ensure maximum reliability and duration.

USE: Automation
Heating

PIPES: G 1/2

COILS:

8W - Ø 13	
BDA - BDS - BSA	155°C (classe F)
BDF - BDV	180°C (classe H)
12W - Ø 13	
UDA	155°C (classe F)
14W - Ø 13	
GDH - GDV	180°C (classe H)

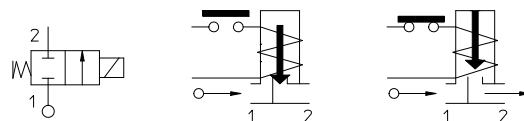
MOULDING AND BOBBIN ARE MADE BY 100% VIRGIN MATERIAL.

Max. allowable pressure (PS) 40 bar
Ambient temperature:
with coils class F - 10°C + 60°C
with coils class H - 10°C + 80°C



Gaskets			Medium
V=FKM (fluoroelastomer)	- 10°C	+140°C	Mineral oils (2°E), gasoline gas oil, fuel oils (7°E)
B=NBR (nitrile rubber)	- 10°C	+ 90°C	Air, inert gas, water

For seals other than FKM replace the letter "V" with the ones corresponding to the other seals. E.I. 5254K0B45-W.



Pipe ISO 228/1	Code	Max viscosity		Ø mm	Kv l/mn	Power (watt)	Pressure		
		cSt	°E				min bar	M.O.P.D. AC bar DC bar	
G 1/2	5254K0V45-W	53	~ 7	4,5	6,5	8	0	10	5
						12		17	8
						14		18	10

Note

The kit is supplied not assembled

Timer: supply voltage: 24 to 240V AC/DC±10% 50/60Hz

Available on request and with minimum quantities.

The "ODE" reserves the right to carry out technical and aesthetic modifications without prior notification.

MATERIALS:

Body	Brass - UNI EN 12164 CW614N
Armature tube	Stainless steel AISI series 300
Fixed core	Stainless steel AISI series 400
Plunger	Stainless steel AISI series 400
Phase displacement ring	Copper - Cu 99,9%
Spring	Stainless steel AISI series 300
Seal	Standard: V=FKM On request: B=NBR
Orifice	Brass - UNI EN 12164 CW614N

On request:

Connector	Pg 9 or Pg 11
Connector conformity	ISO 4400

FEATURES:

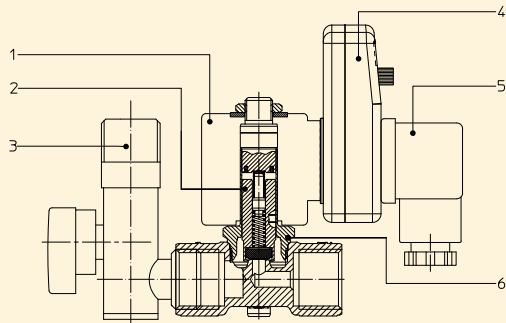
Electrical conformity	IEC 335
Protection degree	IP 65 EN 60529 (DIN 40050) with coil fitted by connector

SPARE PARTS:

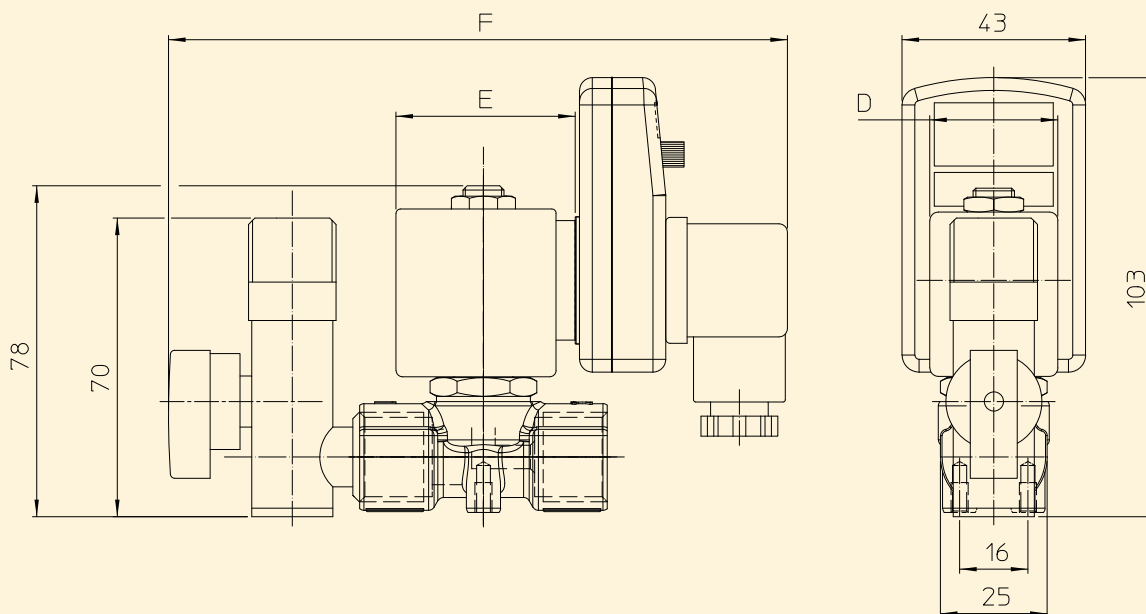
- Coil:**
See coils list
- Complete plunger:**
Code R450898/V
- Tap with filter:**
Code P992208
- Timer:**
Code P992087
- Connectore:**
Code P990306
- Complete armature tube:**
Code R450606

KIT:

KT130KV55-A=2+6



DIMENSIONS:



COIL TYPE	POWER ABSORPTION			DIMENSIONS		
	W ==	Hold VA ~	Inrush VA ~	D mm	E mm	F mm
B	8	14,5	25	30	42	54
U	12	23	35	36	48	60
G	14	27	43	52	55	67