

# Series MC lockable isolation 3/2-way valves

Electropneumatic, pneumatic and manual version  
Ports G1/4, G3/8 and G1/2  
Modular

SERIES MC LOCKABLE ISOLATION VALVES



- » Standard tamperproof lock-out (manual valve)
- » Actuation at 24 V, 110 V or 230 V
- » Exhaust in atmosphere

The 3-way lockable isolation valves are available in the electropneumatic, pneumatic and manual version and are designed to block the air inlet of the FRL group and so pressurise and depressurise the equipment.

Positioning of these valves is often before the FRL unit. The lockable isolation valves are available with ports G1/4, G3/8 and G1/2 and can be panel mounted.

## GENERAL DATA

<b>Construction</b>	modular compact, poppet-type
<b>Materials</b>	zama, NBR, technopolymer
<b>Ports</b>	G1/4; G3/8; G1/2
<b>Weight</b>	kg 0.277 kg 0.536 kg 0.514
<b>Mounting</b>	in- line, wall or panel mounting (in any position)
<b>Operating temperature</b>	-5°C ÷ 50°C (with the dew point of the fluid lower than 2°C at the min. working temperature)
<b>Finishing</b>	enamelled
<b>Operating pressure</b>	Manual valve: -0.8 bar ÷ 10 bar Electro-pneumatic valve: 2 bar ÷ 10 bar Pneumatic valve: -0.8 bar ÷ 10 bar (with pilot 2 ÷ 10 bar)
<b>Nominal exhaust flow at 6 bar with <math>\Delta p = 1</math> bar</b>	G1/4 = 1080 Nl/min G3/8 = 2380 Nl/min G1/2 = 2380 Nl/min
<b>Nominal flow</b>	see FLOW DIAGRAMS on the following pages
<b>Fluid</b>	compressed air

**CODING EXAMPLE**

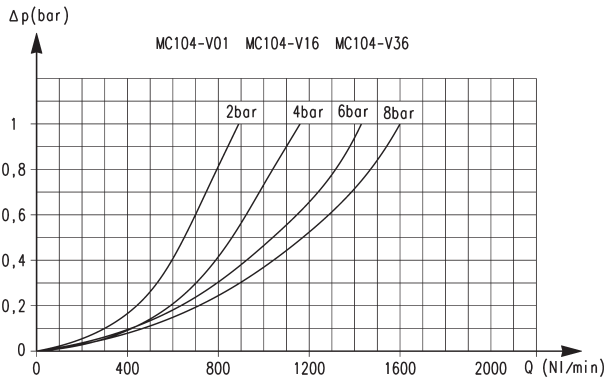
<b>MC</b>	<b>2</b>	<b>02</b>	<b>-</b>	<b>V</b>	<b>16</b>
-----------	----------	-----------	----------	----------	-----------

<b>MC</b>	SERIES
<b>2</b>	SIZE: 1 = G1/4 2 = G3/8 - G1/2
<b>02</b>	PORTS: 04 = G1/4 38 = G3/8 02 = G1/2
<b>V</b>	V = 3/2-WAY VALVE
<b>16</b>	DESIGN TYPE: 16 = electropneumatic 36 = pneumatic 01 = padlock valve (manual command)

SERIES MC LOCKABLE ISOLATION VALVES

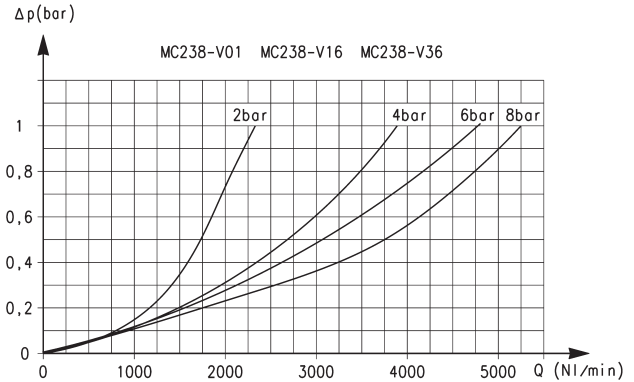
**FLOW DIAGRAMS**

SERIES MC LOCKABLE ISOLATION VALVES



Flow diagram for models:  
MC104-V01  
MC104-V16  
MC104-V36

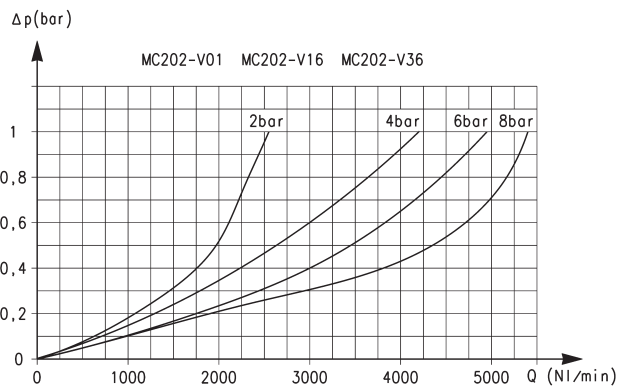
$\Delta p$  = Pressure drop (bar)  
Q = Flow (NL/min)



Flow diagram for models:  
MC238-V01  
MC238-V16  
MC238-V36

$\Delta p$  = Pressure drop (bar)  
Q = Flow (NL/min)

**FLOW DIAGRAM**



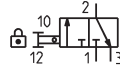
Flow diagram for models:  
MC202-V01  
MC202-V16  
MC202-V36

$\Delta p$  = Pressure drop (bar)  
Q = Flow (NL/min)

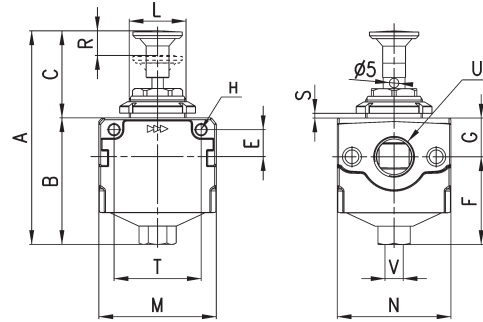
**Lockable isolation valves Series MC - manual version**



VN27



Actuating force at 6 bar :  
 - MC104-V01 = 29N  
 - MC238-V01 = 31N  
 - MC202-V01 = 31N

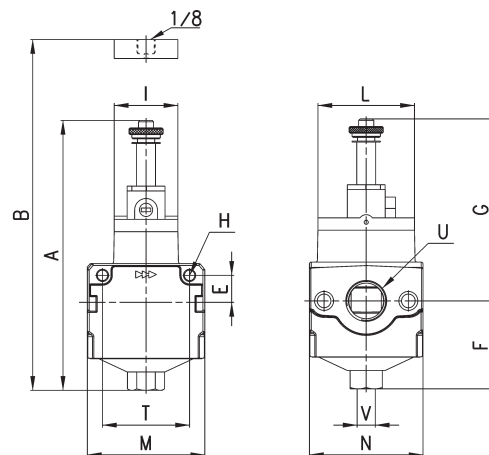
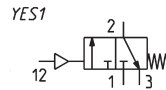
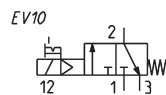


DIMENSIONS																	
Mod.	A	B	C	E	F	G	H	L	M	N	R	S	T	U	V		
MC104-V01	96,5	54,5	42	11	38,5	16	4,5	M30x1,5	45	45	9	0 ÷ 6	35	G1/4	G1/8		
MC238-V01	113	67	46	14	46,5	20,5	5,5	M30x1,5	62	60	13	0 ÷ 6	46	G3/8	G1/4		
MC202-V01	113	67	46	14	46,5	20,5	5,5	M30x1,5	62	60	13	0 ÷ 6	46	G1/2	G1/4		

**Lockable isolation valves Series MC - electro-/pneumatic version**



EV10 = solenoid valve, 3/2 NC, monostable, with bistable manual override  
 YES1 = pneumatically operated valve, 3/2, monostable, mechanical spring



DIMENSIONS															
Mod.	A	B	E	F	G	H	I	L	M	N	T	U	V	Symbol	
MC104-V16	120	-	11	38,5	81,5	4,5	22	32	45	45	35	G1/4	G1/8	EV10	
MC238-V16	142,5	-	14	46,5	96	5,5	33,5	51	62	60	46	G3/8	G1/4	EV10	
MC202-V16	142,5	-	14	46,5	96	5,5	33,5	51	62	60	46	G1/2	G1/4	EV10	
MC104-V36	-	77,5	11	38,5	-	4,5	22	32	45	45	35	G1/4	G1/8	VP01	
MC238-V36	-	93,5	14	46,5	-	5,5	33,5	51	62	60	46	G3/8	G1/4	VP01	
MC202-V36	-	93,5	14	46,5	-	5,5	33,5	51	62	60	46	G1/2	G1/4	VP01	